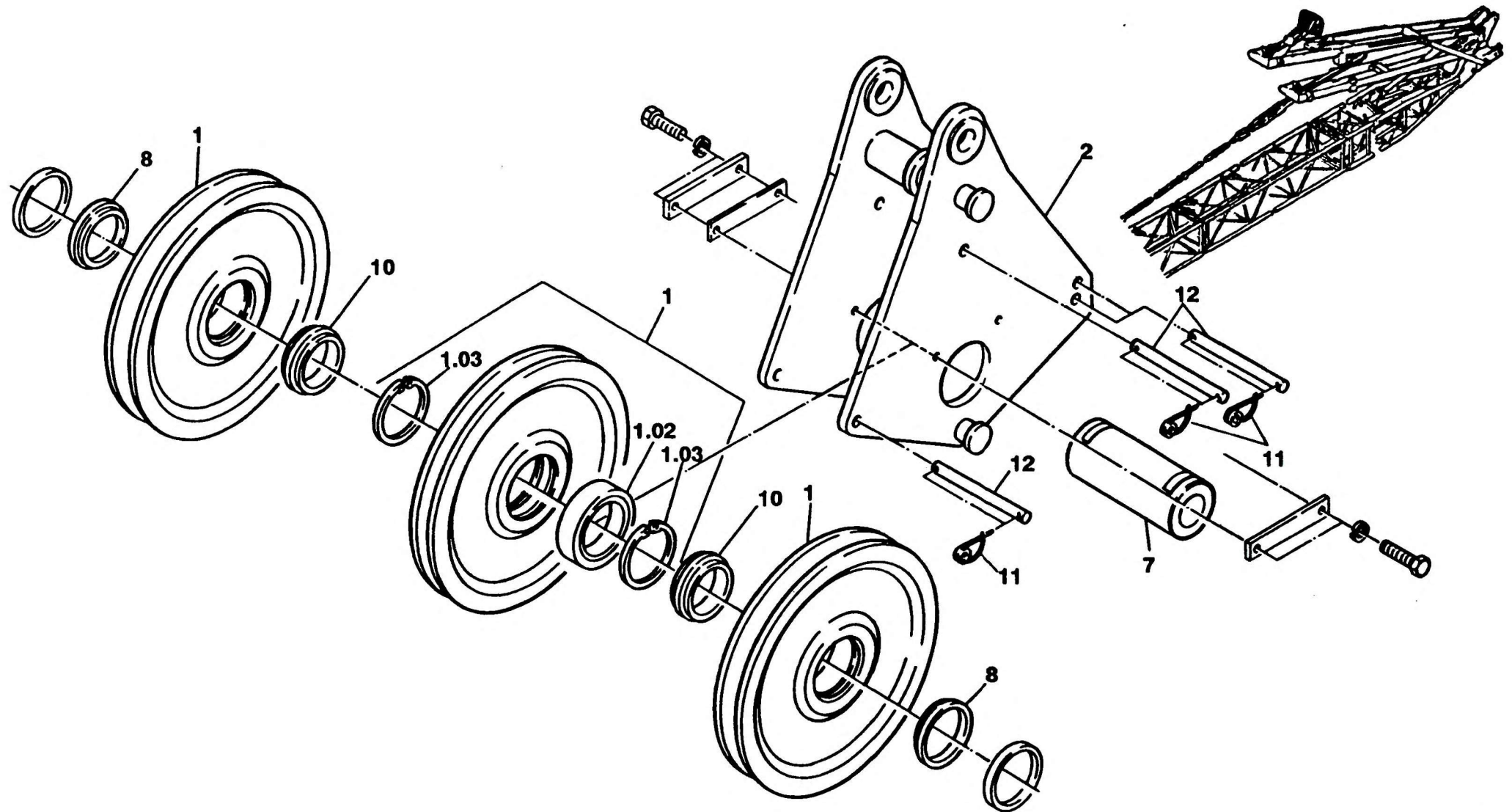




SEILROLLENFLASCHE OBEN  
UPPER SHEAVE BLOCK

|                                |             |     |          |
|--------------------------------|-------------|-----|----------|
| BILDТАFEL<br>PICTORIAL DISPLAY |             |     | KMK 6200 |
| 09.91                          | 2083905-ETL | 1/1 | BE 720   |
|                                |             |     | G 173    |



AdB\_023